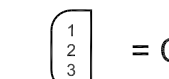

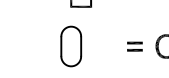
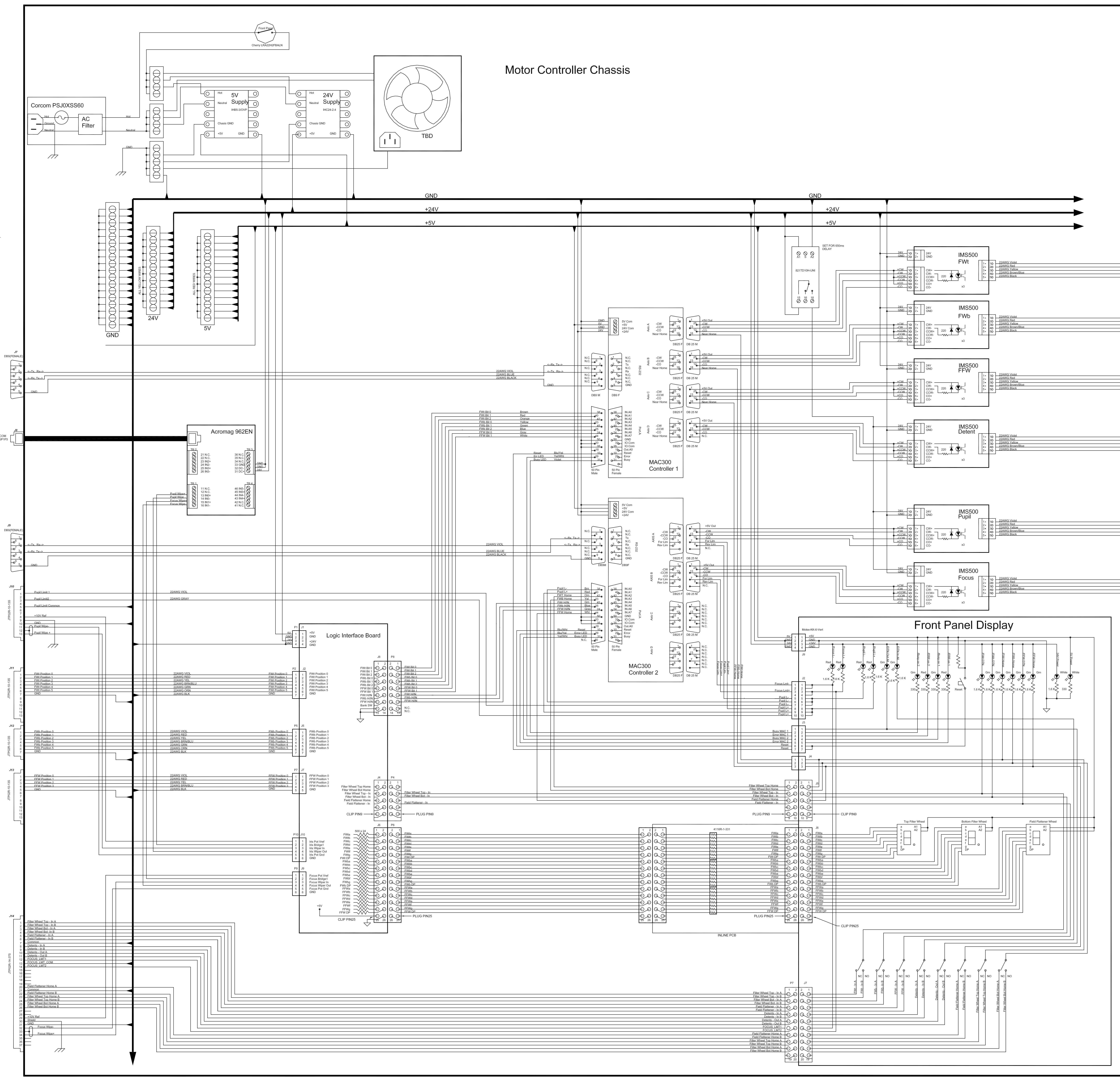



Motor Controller Chassis

- Notes:
-  = Cable Connector
 -  = Boxmount Connector
 -  = CABLE SHIELD



		Johns Hopkins University Instrument Development Group		Name	
				4STAR Electrical System Diagram	
Material		Drawn		Date	
N/A		J. Omdorff		07-11-2008	
Finish		Checked		Date	
N/A					
Scale		File		Sheet	
N/A				1 of 1	